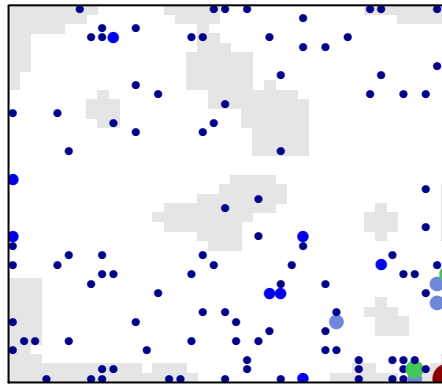
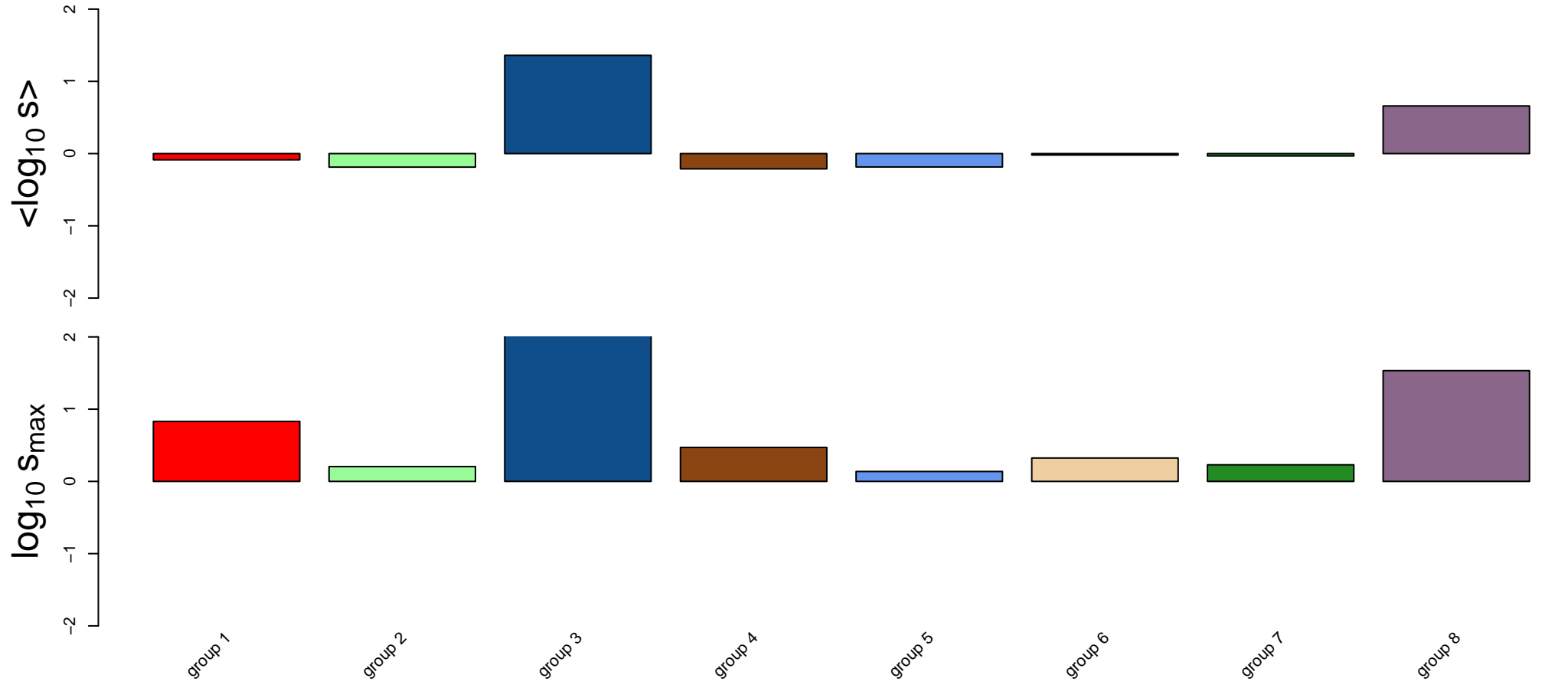
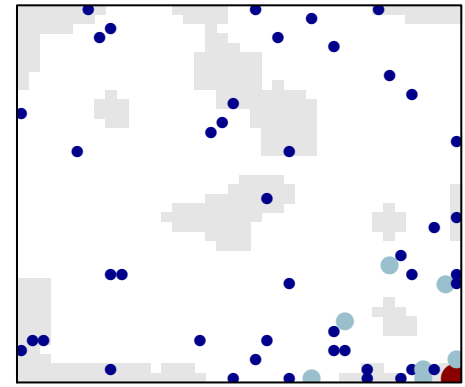


Amphetamine addiction

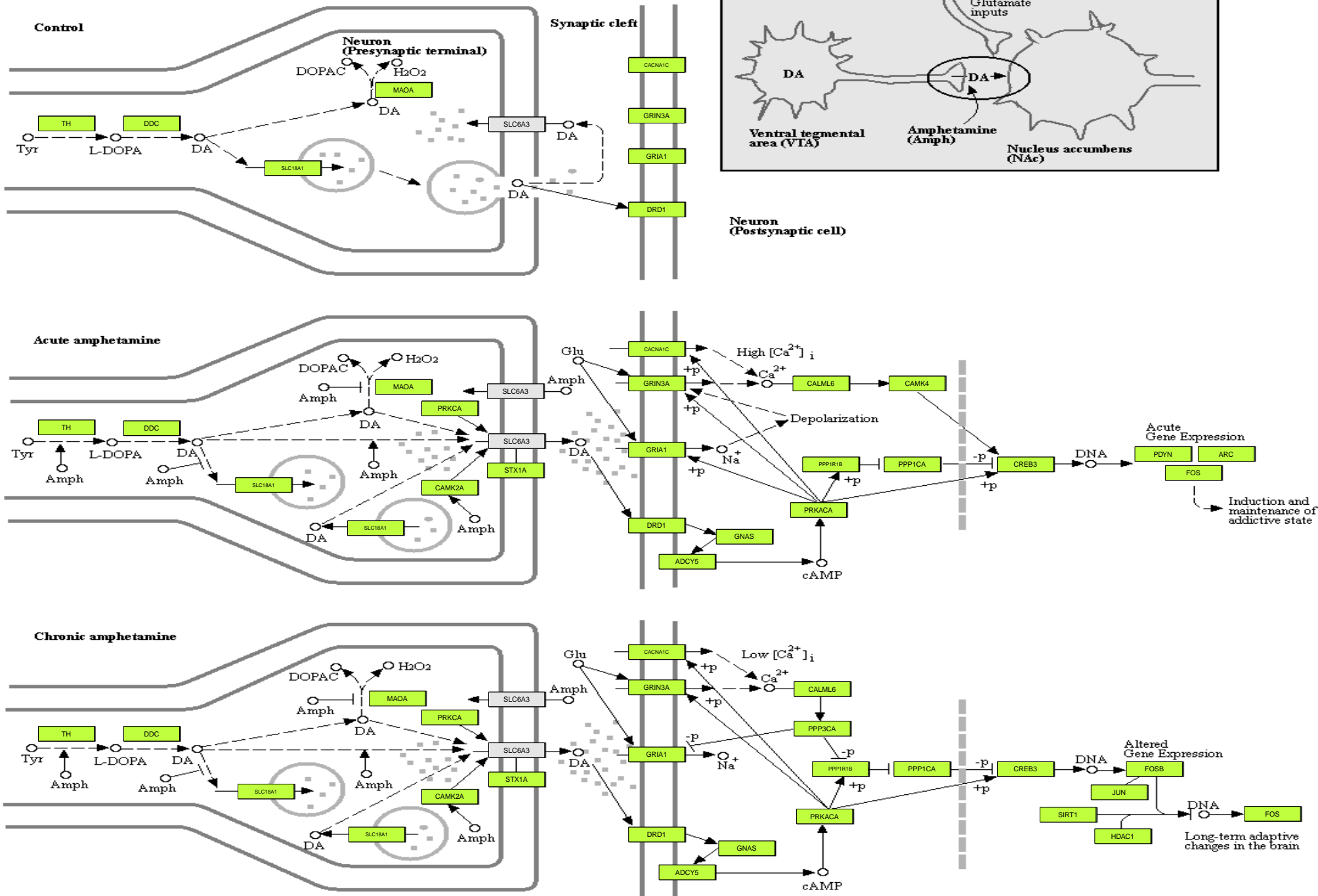
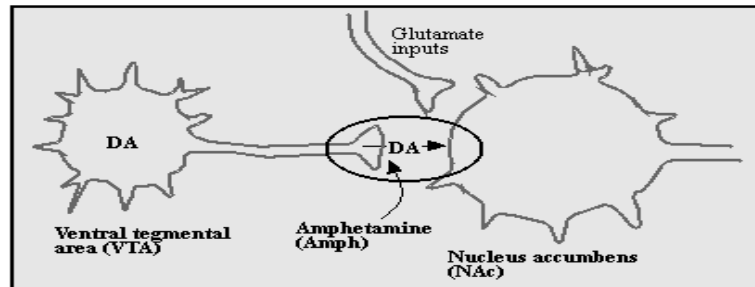
all genes

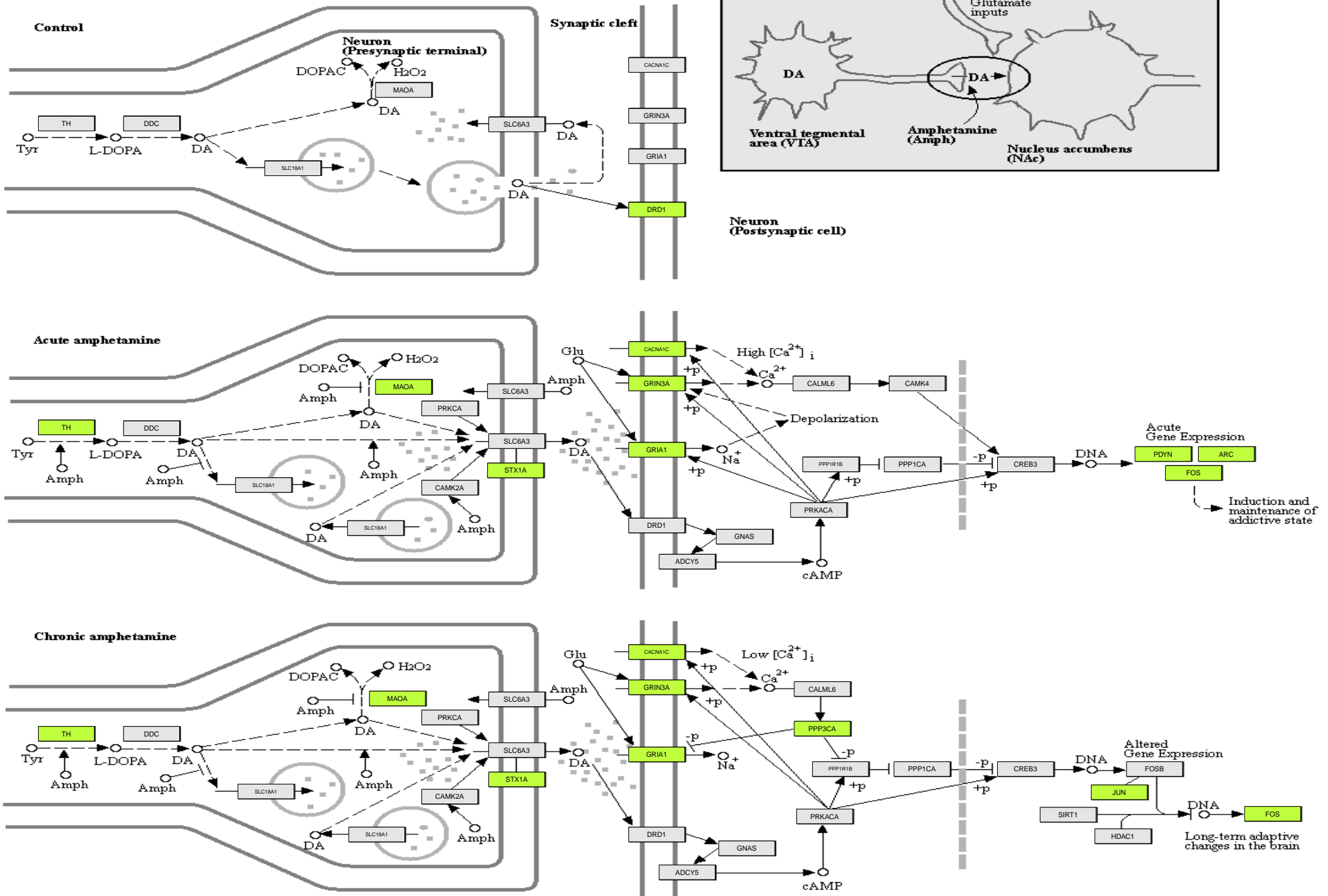
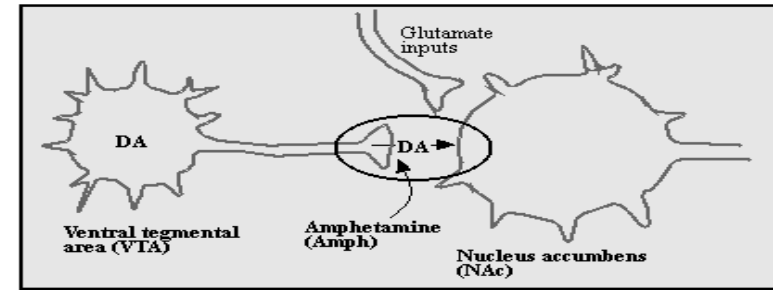


sink node genes

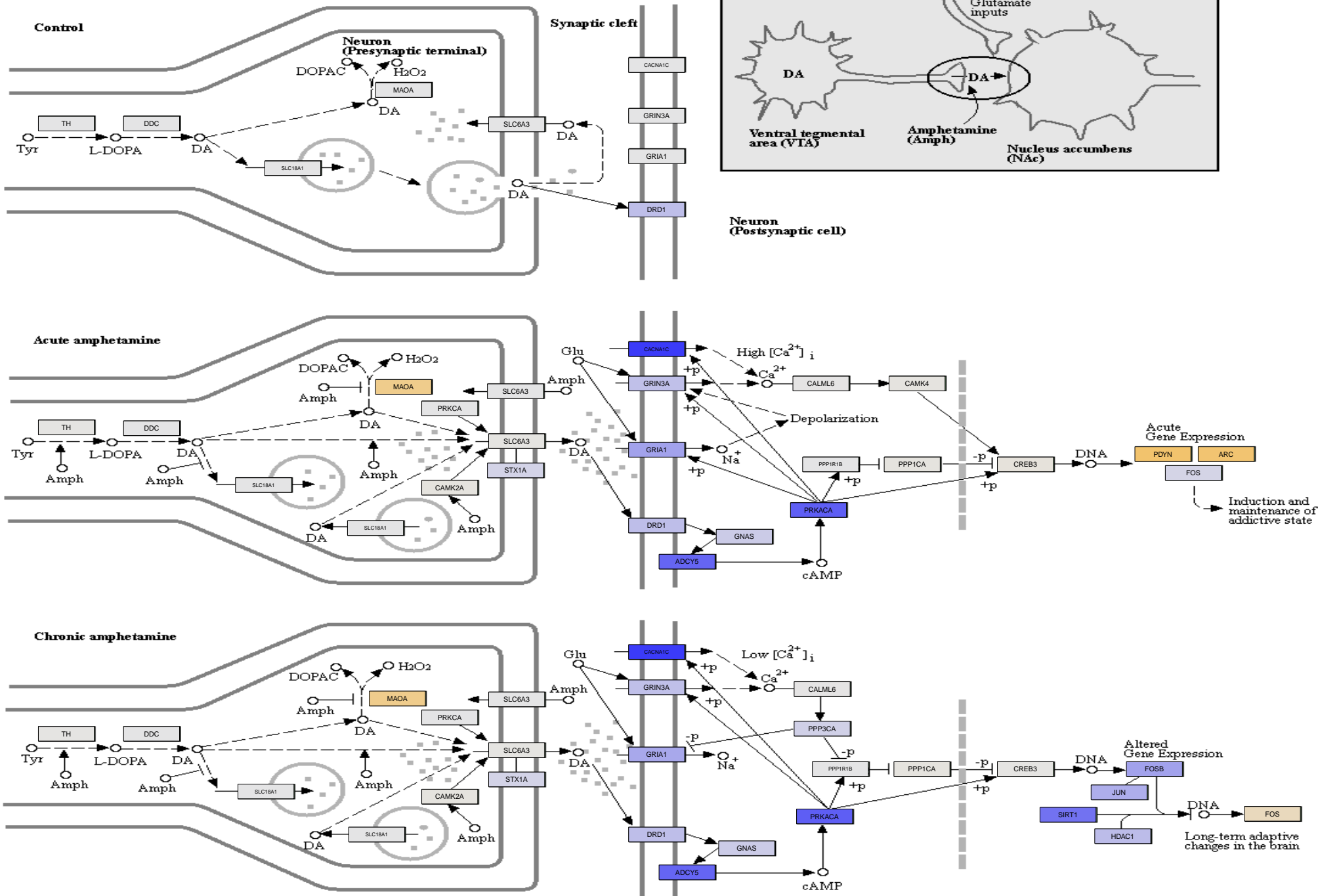
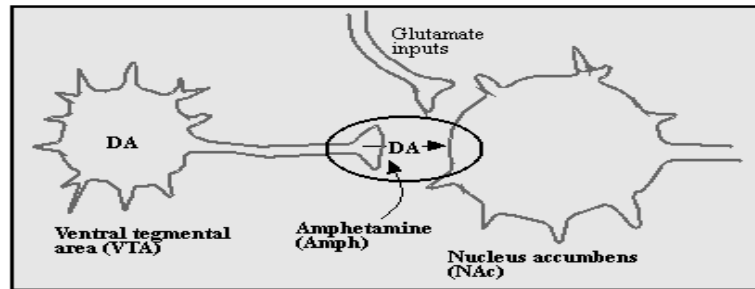


Dopaminergic
synapse

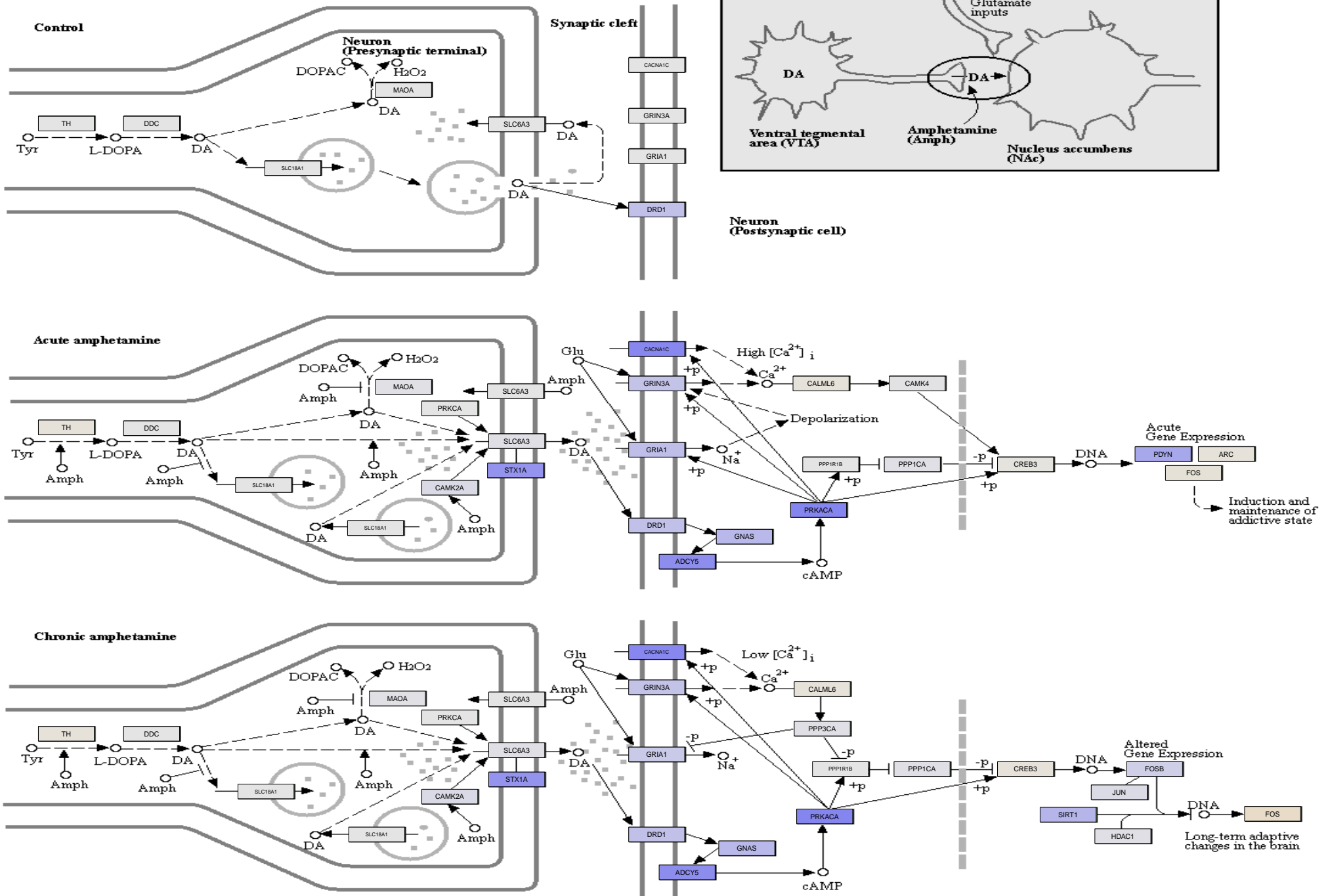




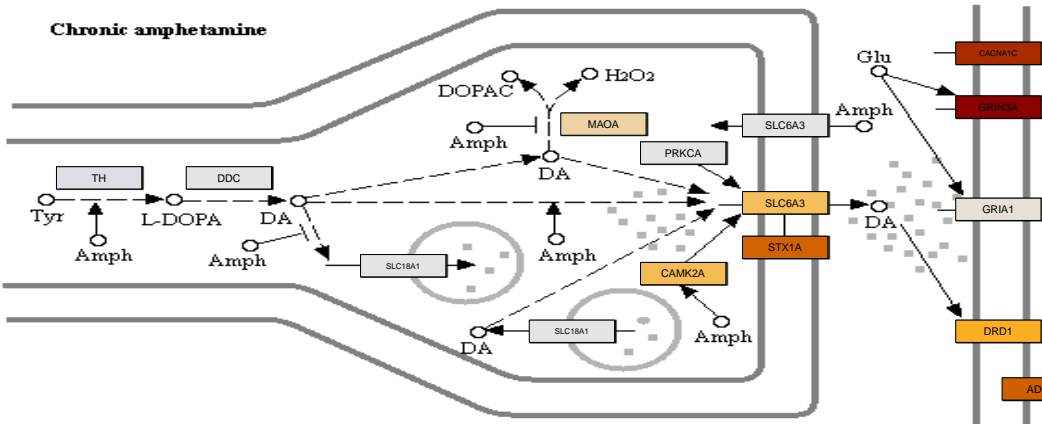
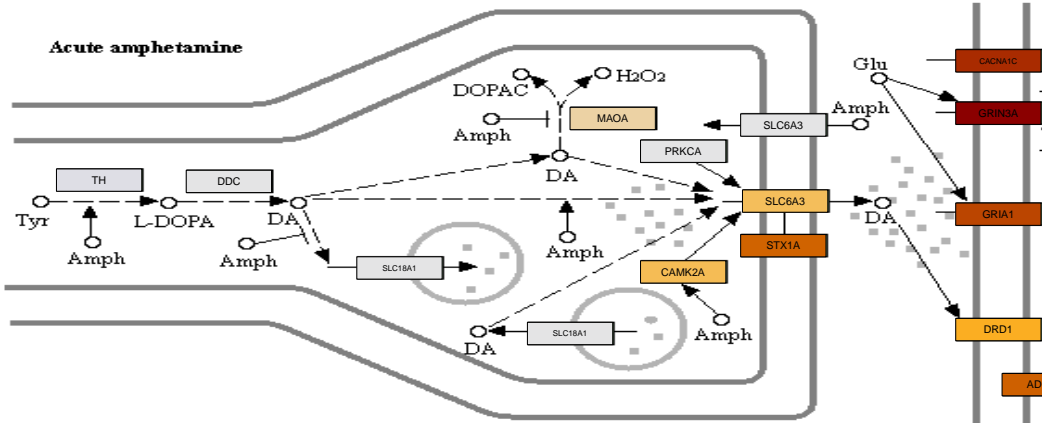
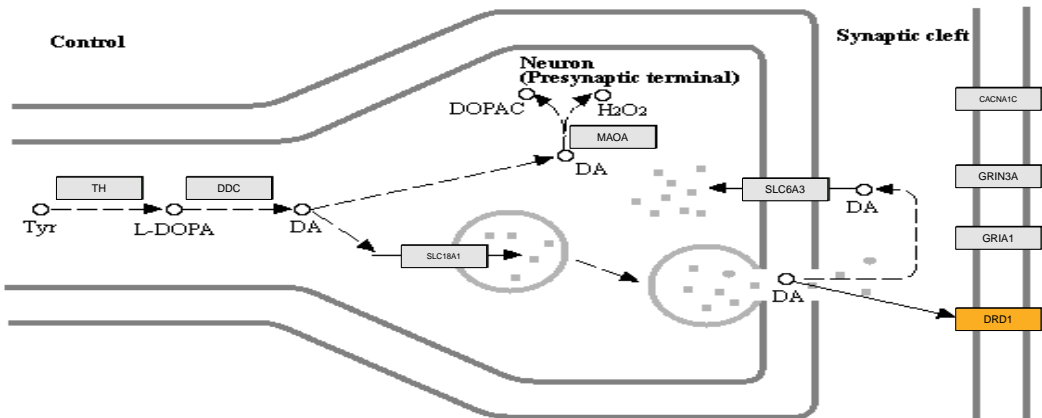
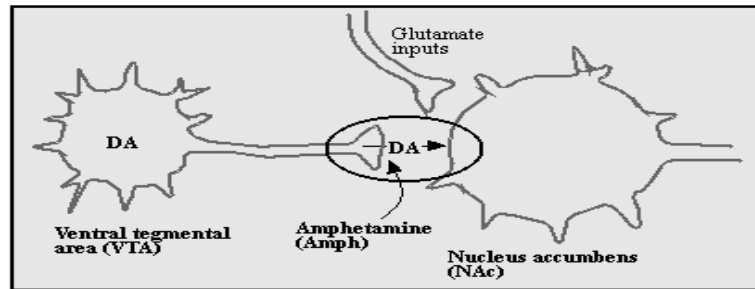
Dopaminergic synapse



Dopaminergic
synapse



Dopaminergic
synapse

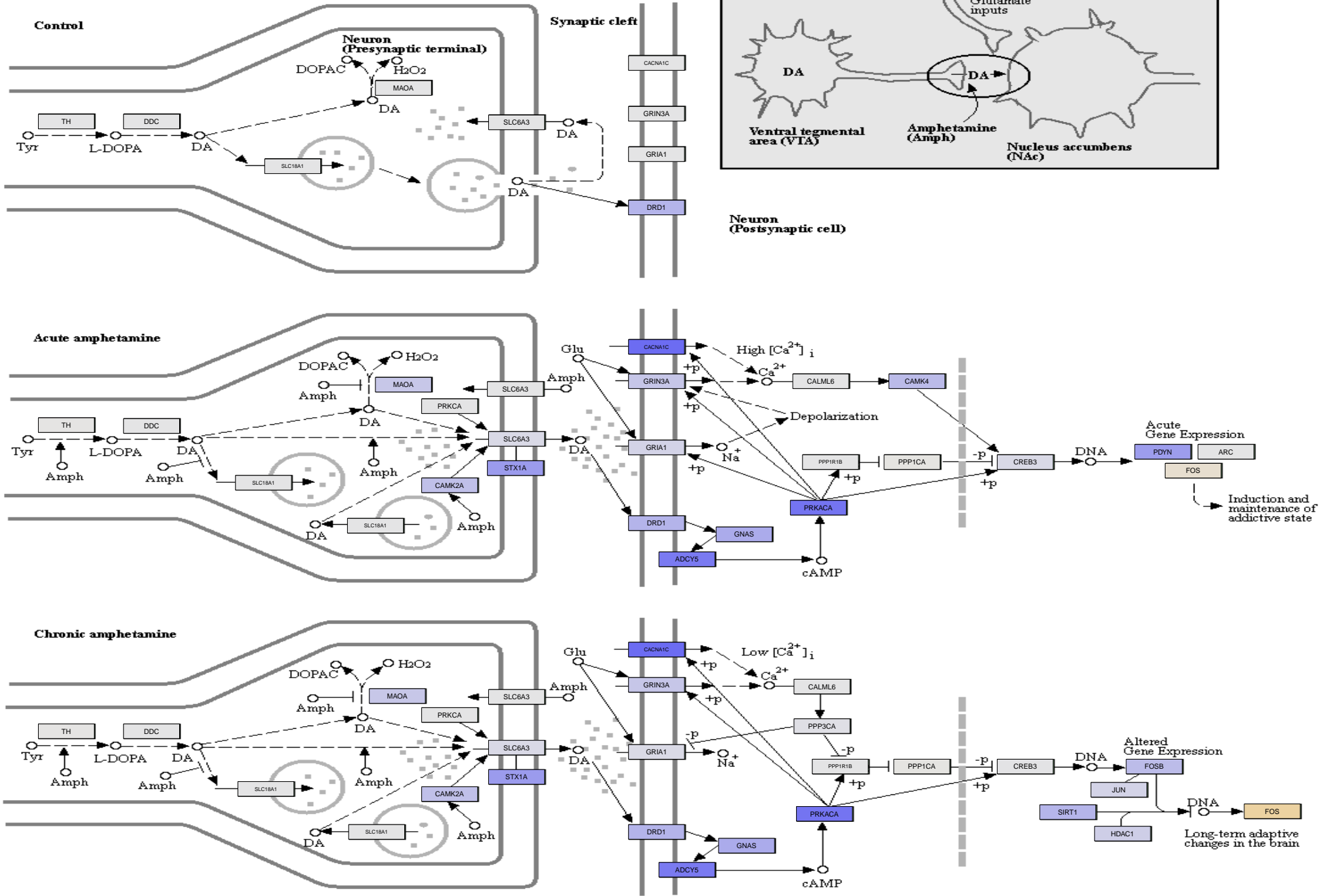
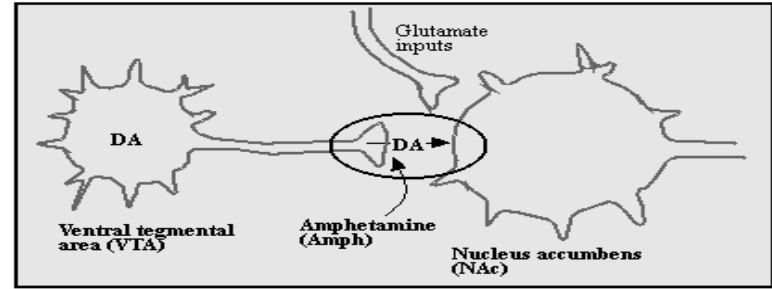


Neuron
(Postsynaptic cell)

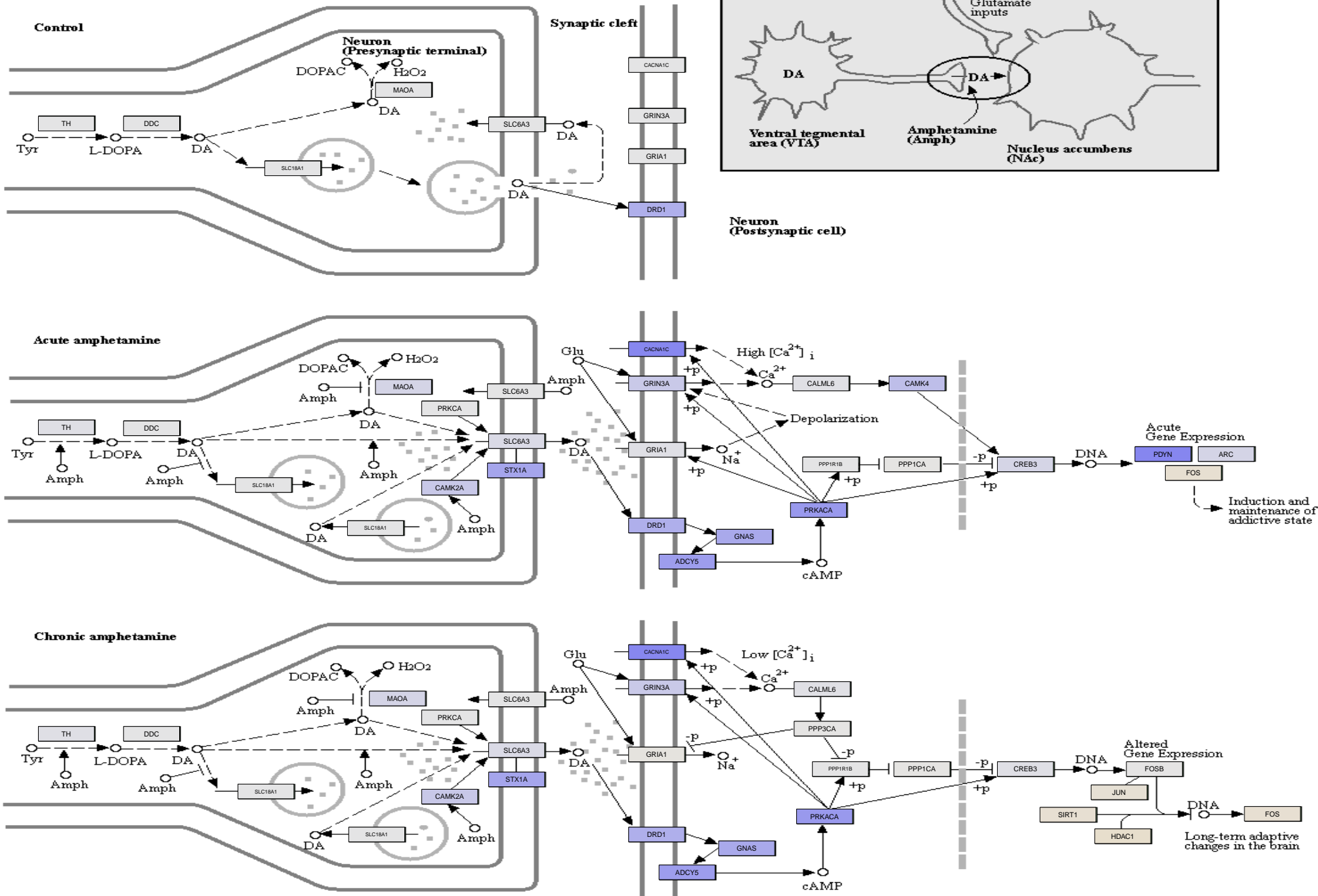
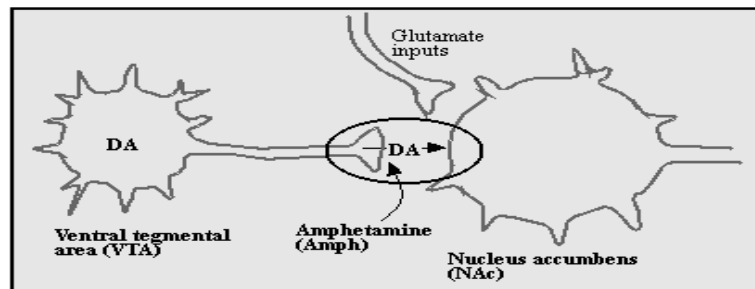
Acute Gene Expression
PDYN, ARC, FOS
Induction and maintenance of addictive state

Altered Gene Expression
FOSB, JUN, HDAC1, SIRT1, FOS
Long-term adaptive changes in the brain

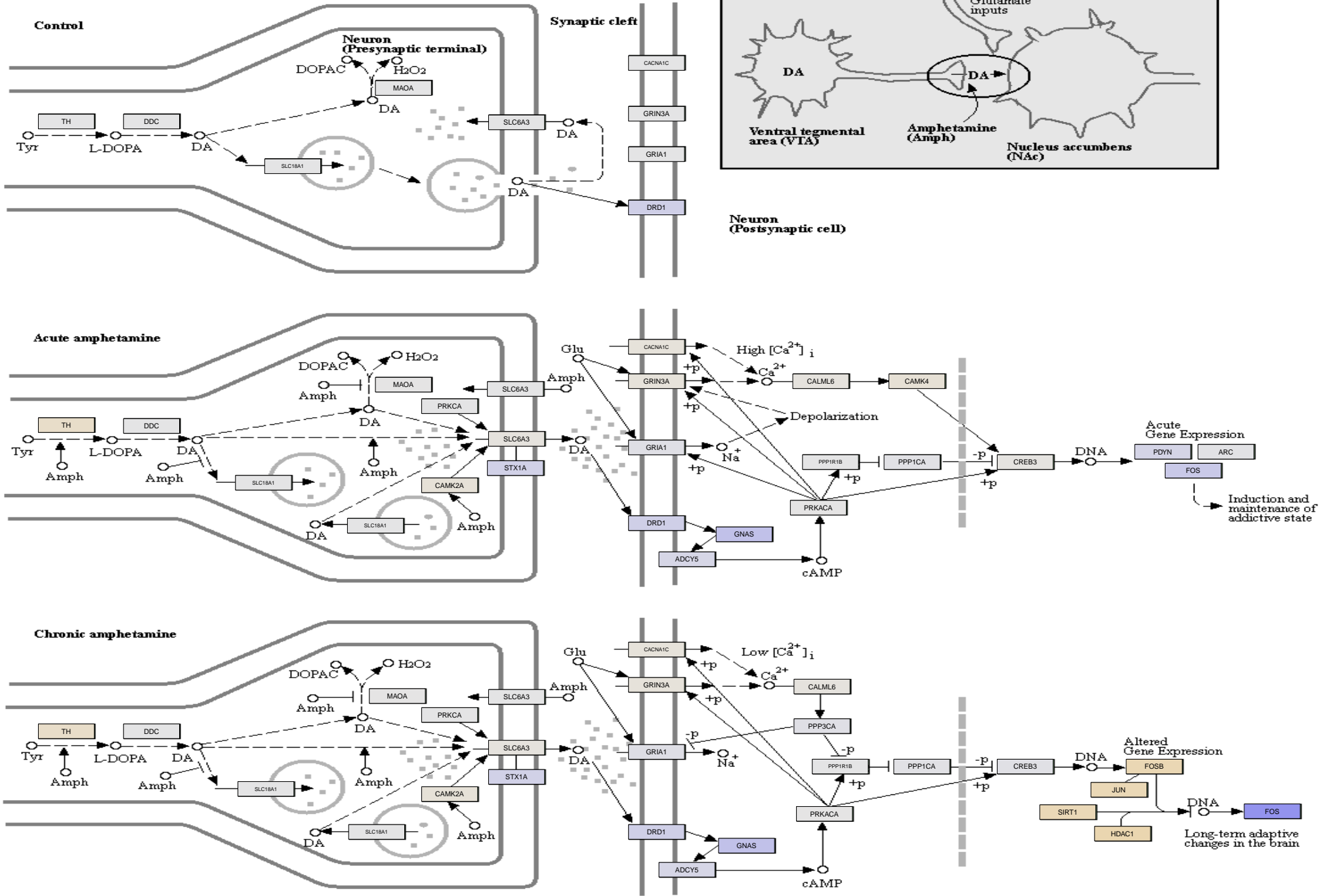
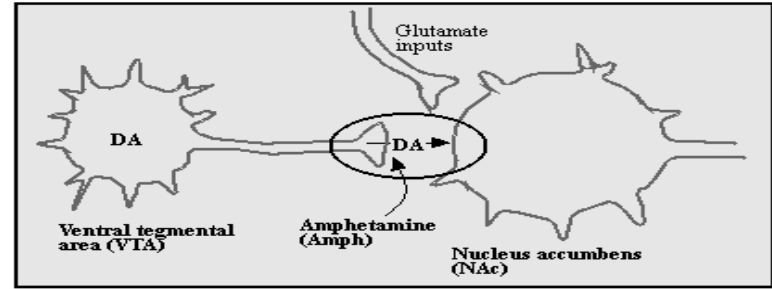
Dopaminergic
synapse



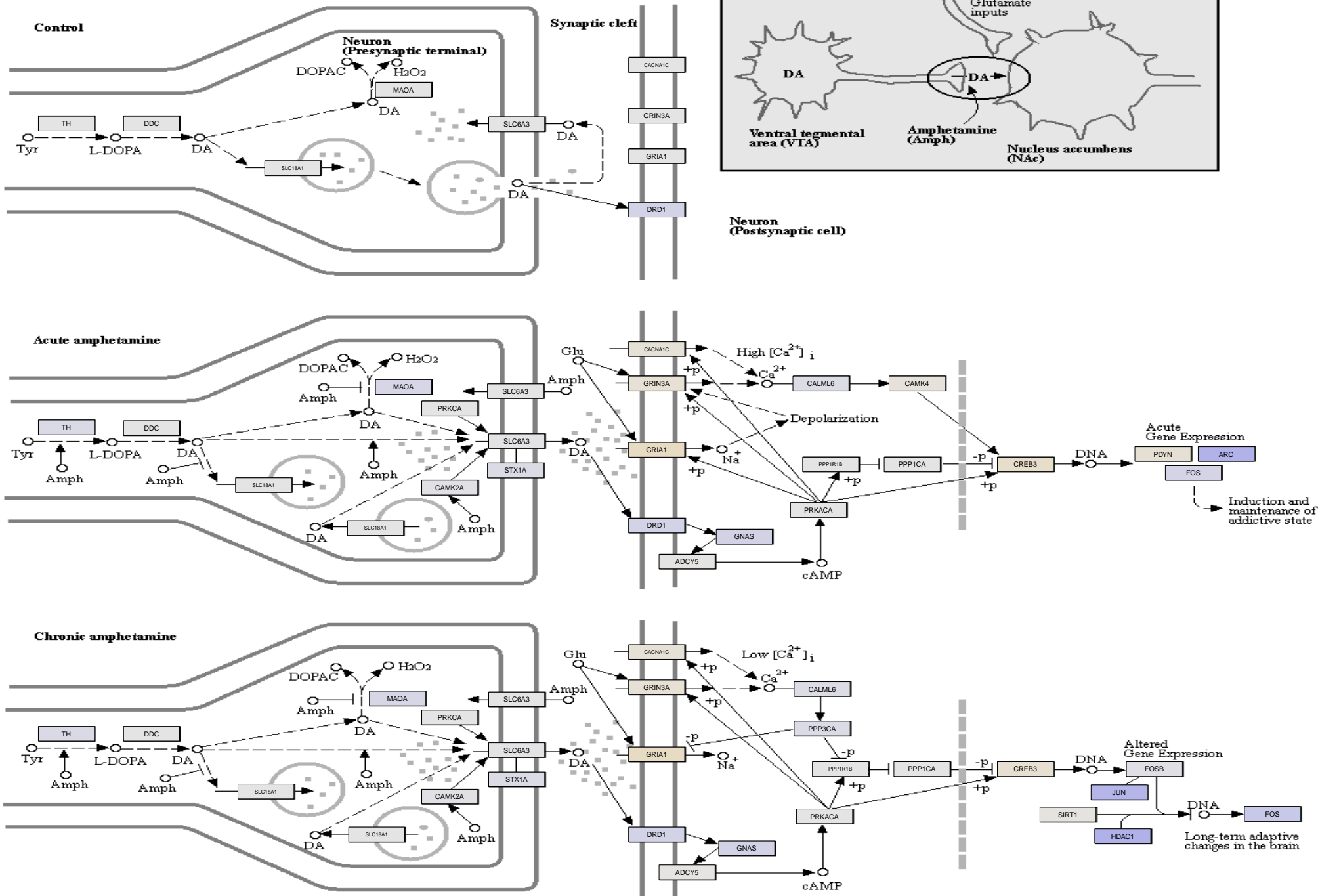
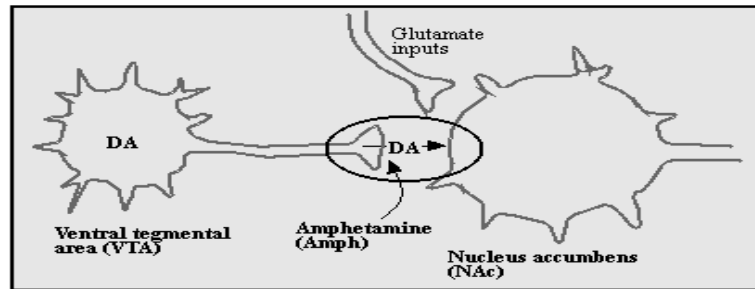
Dopaminergic
synapse



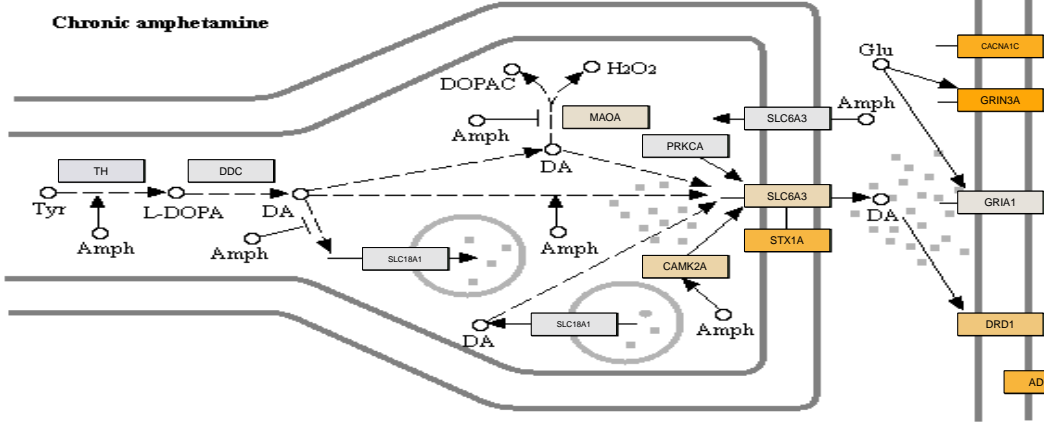
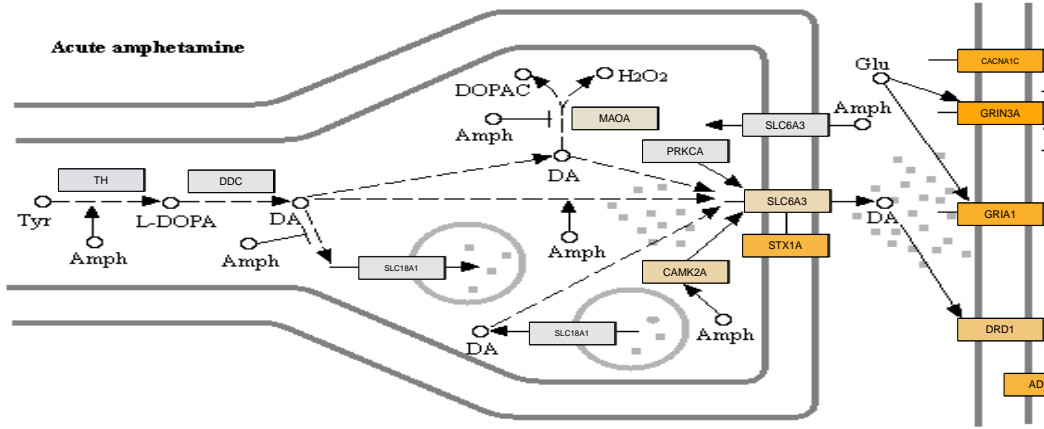
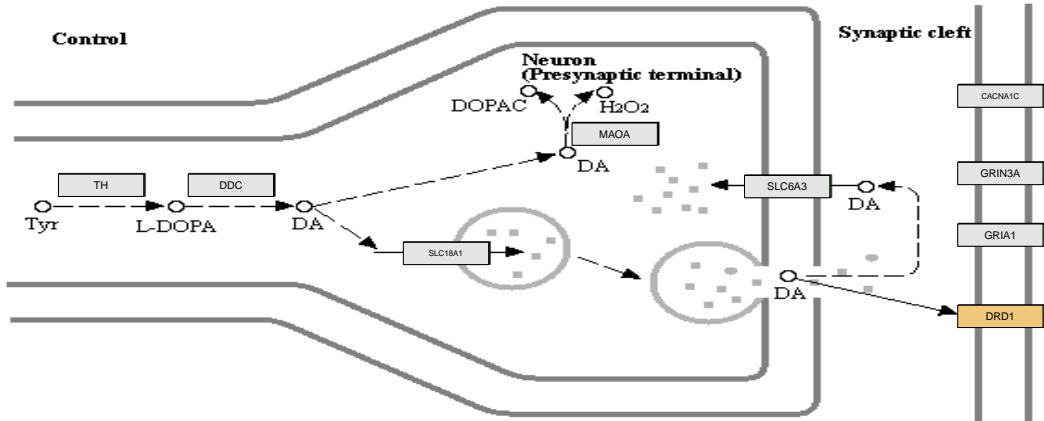
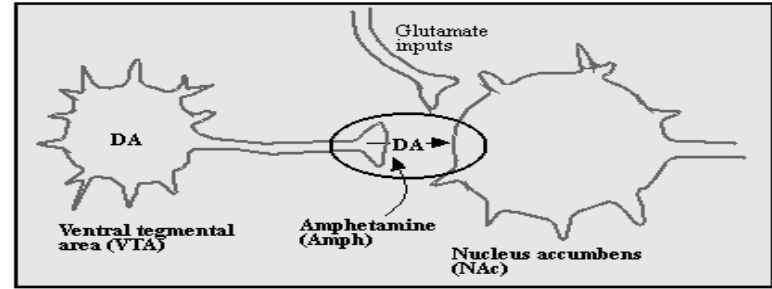
Dopaminergic
synapse



Dopaminergic
synapse



Dopaminergic
synapse



Neuron
(Postsynaptic cell)

